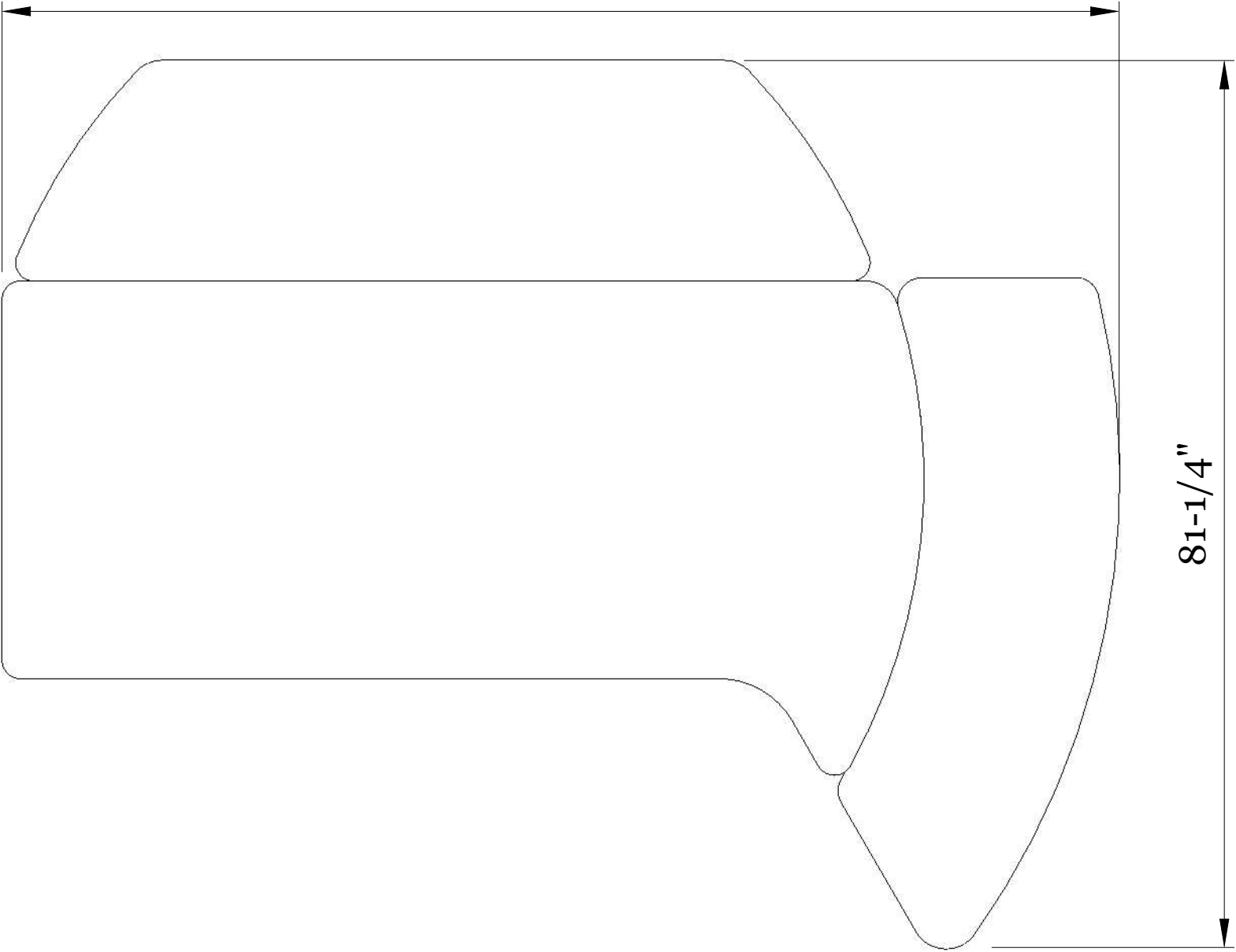


102-5/16"



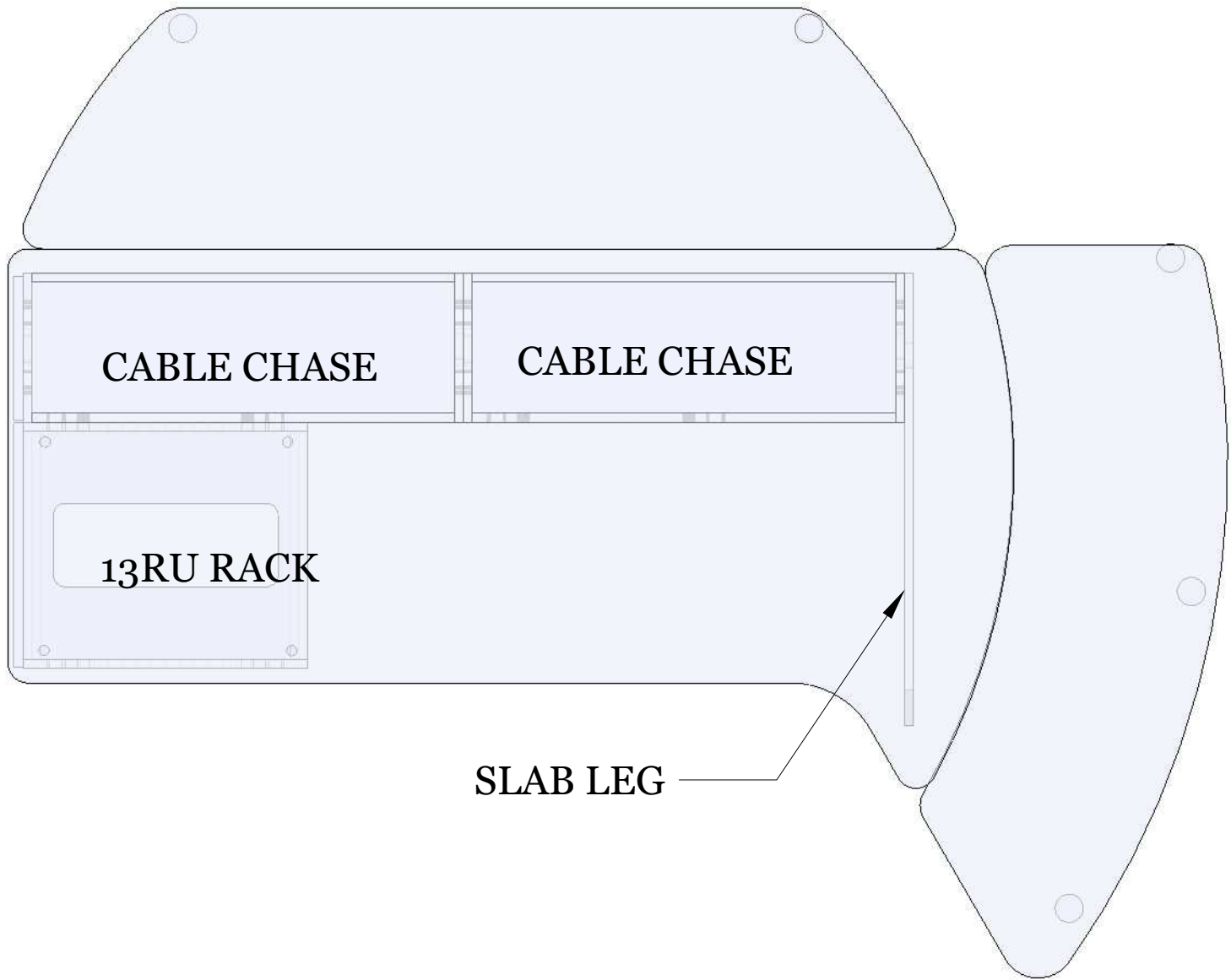
81-1/4"

QUICKLINE

CONFIGURATION13

WEST WORLD CABINETS  
COMMERCIAL | RESIDENTIAL

A 01

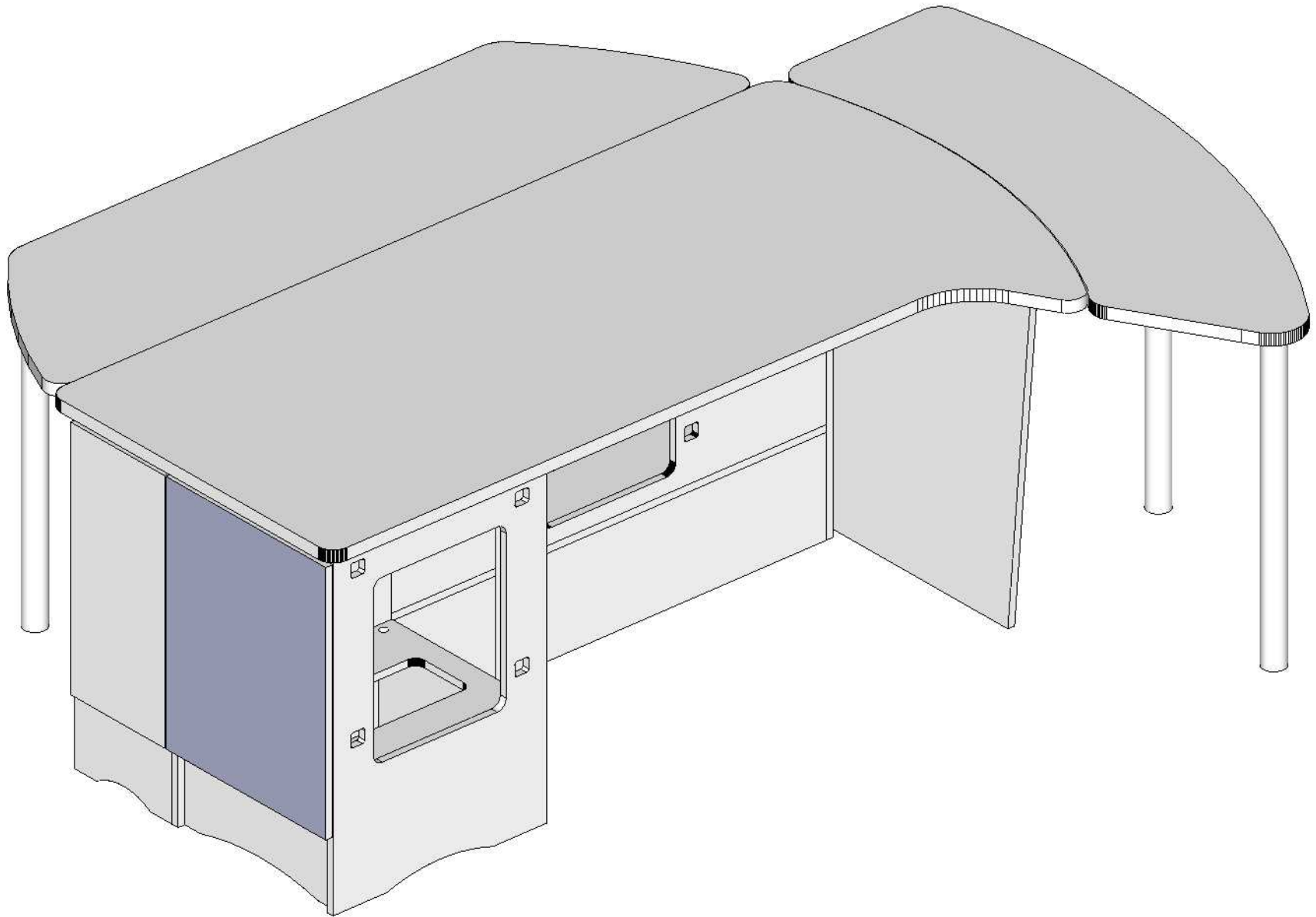


QUICKLINE

CONFIGURATION13

WEST WORLD CABINETS  
COMMERCIAL | RESIDENTIAL

A 02



QUICKLINE

CONFIGURATION13

WEST WORLD CABINETS  
COMMERCIAL | RESIDENTIAL

A 03